

# FULL AUTO

Our fully automatic i-core system, allows the user to position the wall automatically and safely with a touch pad. Each panel is driven electrically and autonomously along the track.





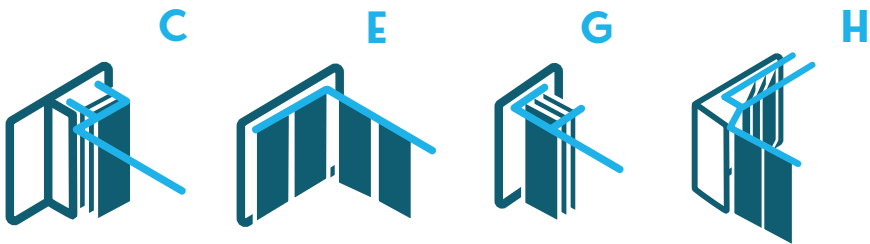
---

## AUTOMATIC DIVISION OF SPACES

---

---

## STACKING SYSTEMS



---

## AUTONOMY

Once programmed, each panel moves autonomously to its pre-set location. In the event of a power outage, the partition can still be operated using the back-up battery.

---

## ELECTRICAL SYSTEM

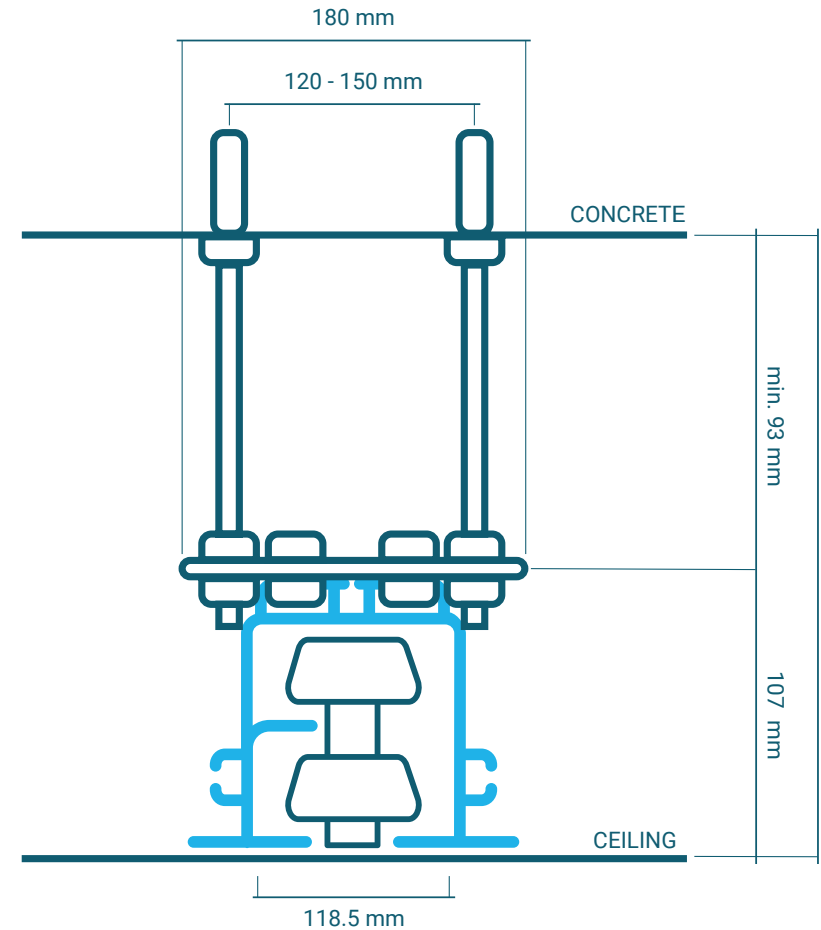
Designed and manufactured by PCTS, this device contains switches and dials for controlling the wall's electrical system. The wall system is designed for smooth operation and precision control, allowing you to seamlessly expand or divide any space with the touch of a button.





UNIVERSITY OF BIRMINGHAM, UNITED KINGDOM - AQUA - FULL AUTO

## FULL-AUTO TRACK & STACKING SYSTEM



Heavy duty and multi-directional track profiles designed by PCTS and extruded from architectural grade 6063-T6 alloy. Load bearing capacity: 850 kg per panel. A space-saving and dividing panel system, it allows to neatly organize any space by a programmable control outlet, requiring very little human interference. The system allows remote parking in multiple layouts and without the need for floor tracks.



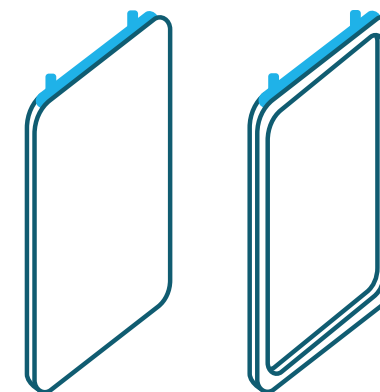
AMAZON, SPAIN - ALMA - FULL AUTO



## TECHNICAL DATA TABLE

		FULL AUTO			
		ALMA		AQUA	
Dimensions	Thickness in mm	116 or 122			
	Width in mm	840 - 1300			
	Height in mm (Max.)	6000*			
Technical Features	Soundproofing to ISO 10140-2:2010	Rw (dB)**	Density (kg/m <sup>2</sup> )	Rw (dB)**	Density (kg/m <sup>2</sup> )
		42	39	44	39
		45	40	49	48
		47	45		
		50	50		
		54	55		
		57	58		
Finishes	Lacquering	●		●	
	HPL	●			
	MFC	●			
	MDF	●			
	Glass				●
	Special Finishes	●			●
Electrically Controlled Blinds					●
Switchable Glass					●
Frosted Glass					●

**AVAILABLE IN  
ALMA & AQUA**



\*For heights over 3500 mm a floor guide is required.

\*\* ISO 10140-2:2010, there's a need to have a segmented panel with a minimum height of 460 mm.



PCTS HEADQUARTERS, PORTUGAL - ALMA & AQUA MIX - FULL AUTO



**WITH JUST  
ONE CLICK**